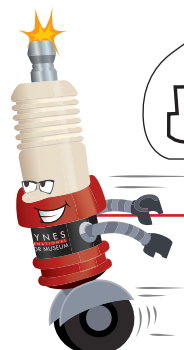
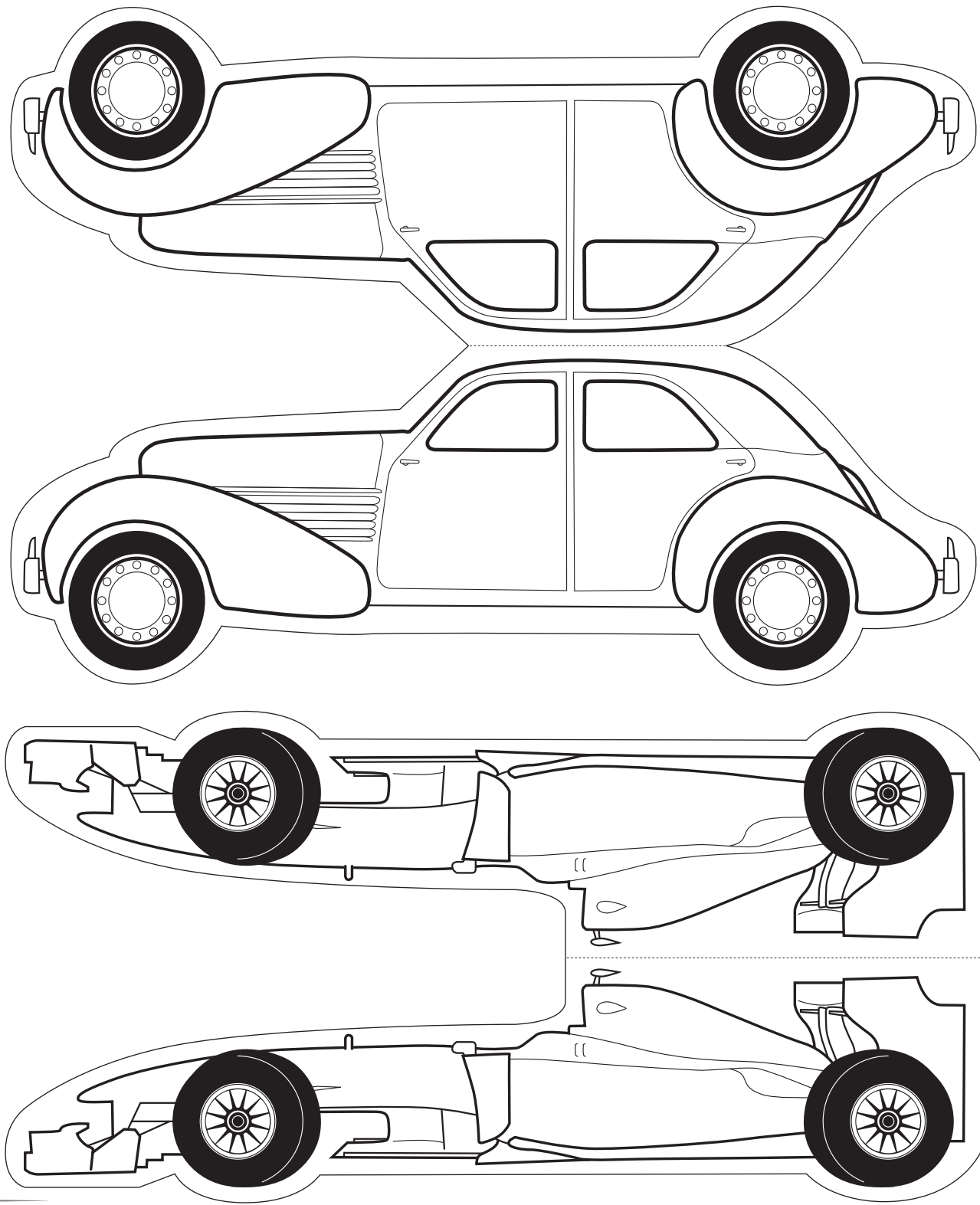


COLOUR ME BUNTING...



MAKE YOUR OWN CAR BUNTING!

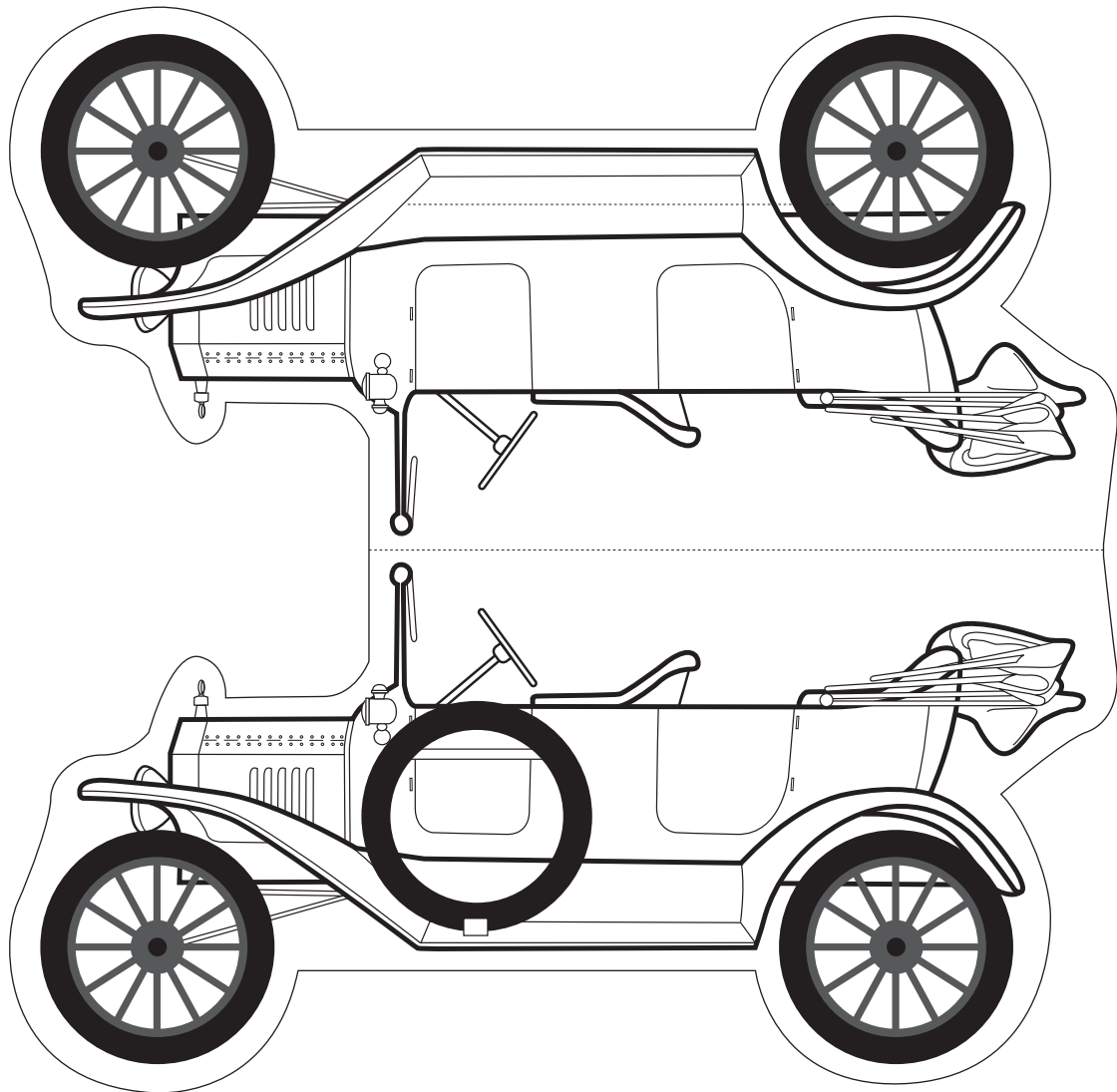
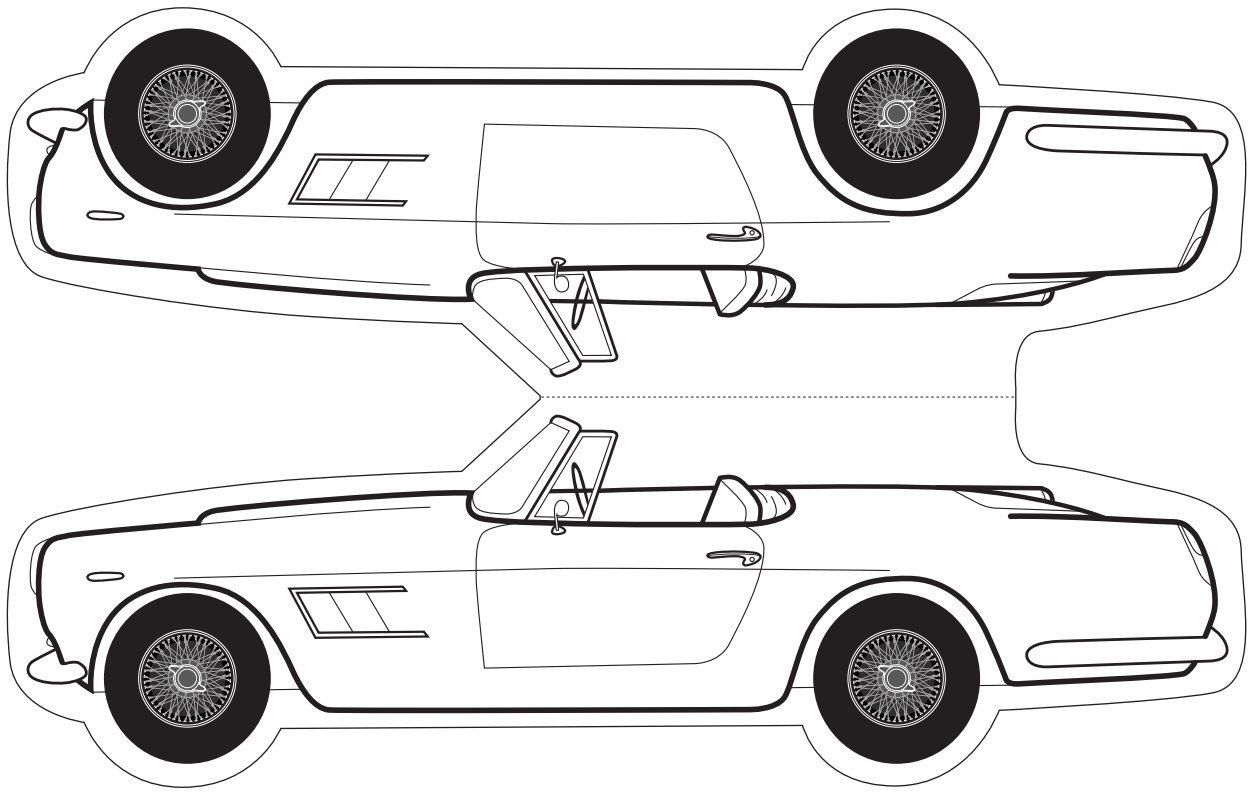
Colour the different cars, then cut out and fold in half along the dotted line. Add some string inside each fold and glue two sides of each car together to hold it in place. Then hang up in your room or favourite space!



HOW DID YOU GET ON? Show us your fantastic colouring skills

#HaynesAtHome #MuseumFromHome

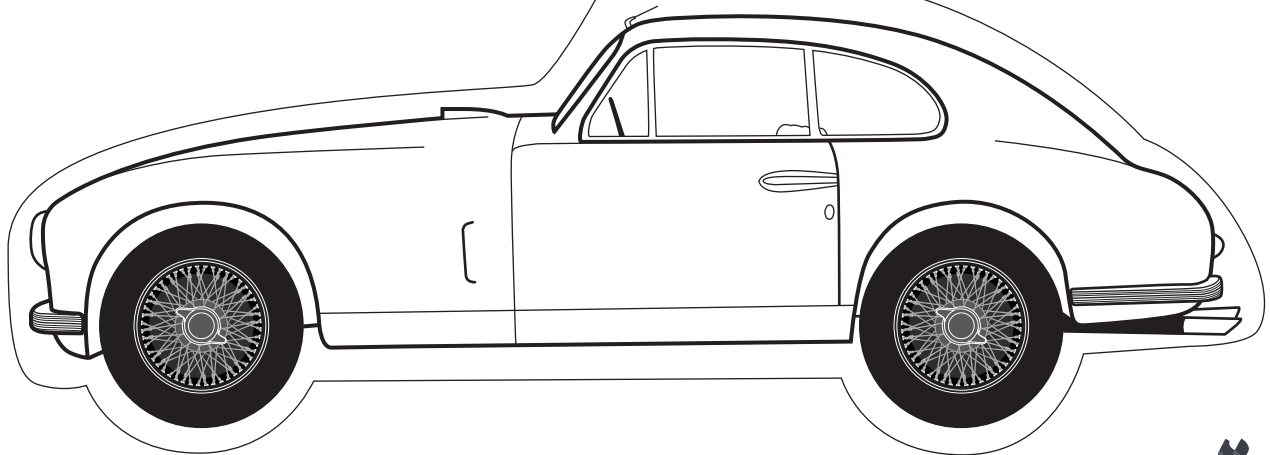
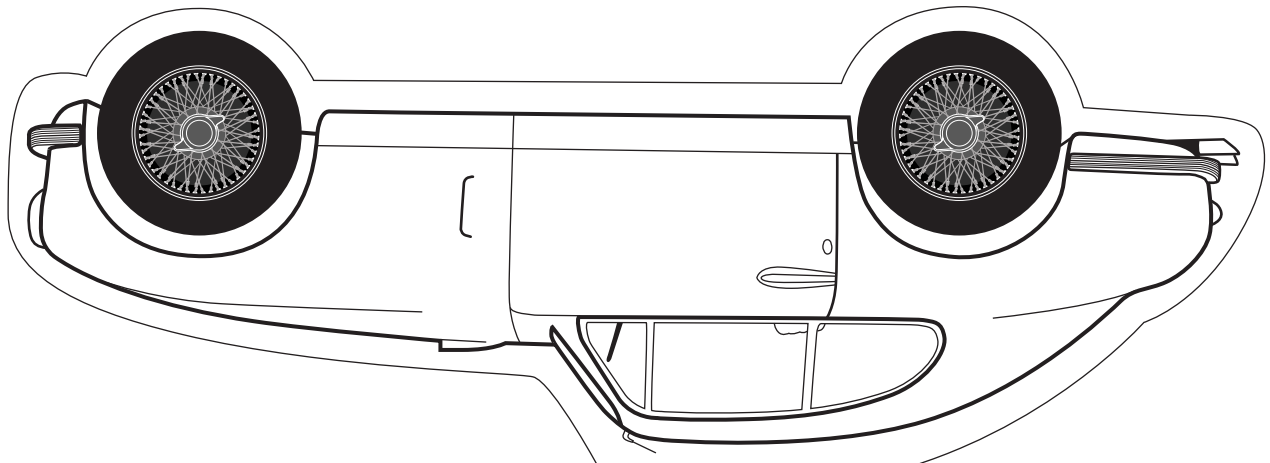
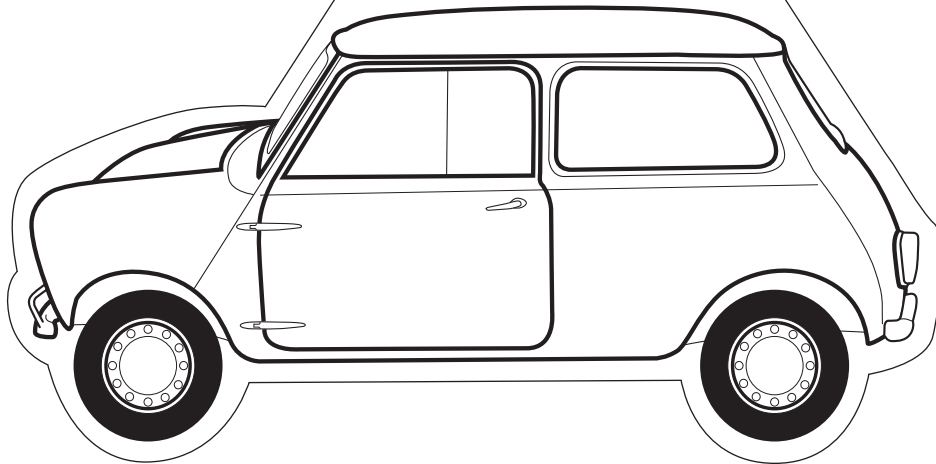
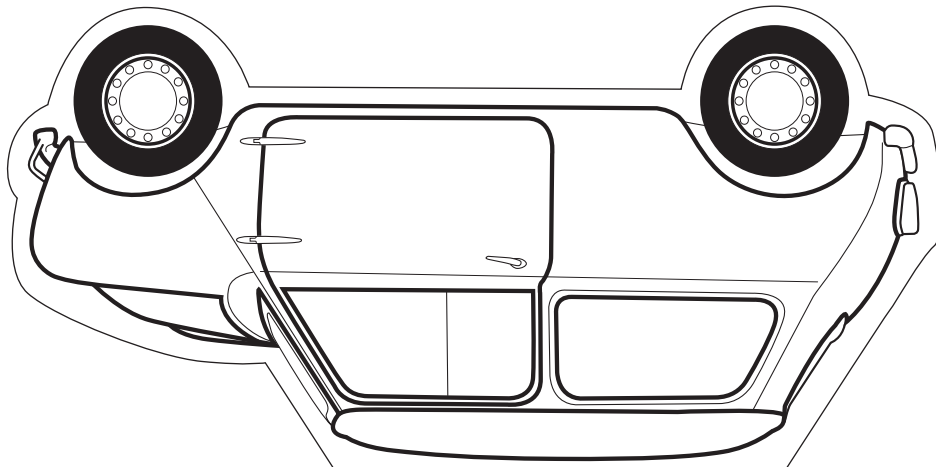




HOW DID YOU GET ON? Show us your fantastic colouring skills

#HaynesAtHome #MuseumFromHome





HOW DID YOU GET ON? Show us your fantastic colouring skills

#HaynesAtHome #MuseumFromHome

